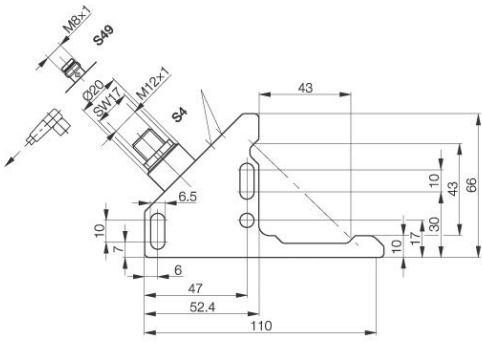


PX1745



**Photoelectric Sensor**  
**BWL 4241A-001-S4**  
**Sn=mm**  
**Angular light barrier**

**Common Data**

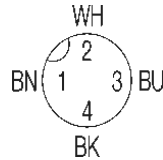
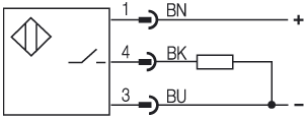
Series	BWL
Sensortype	Angular light barrier
Switching frequency	1000 Hz
Indication Supply Voltage	yes, green LED
Indication Switching element on	yes, yellow LED
Ambient temperature	-10...+60°C
On-delay	=0,5ms
Off-delay	<0,5ms
Light	Infrared, 880nm
Permissible ambient light	5000 Lux
Output function	dark-on
Distance opt. Axis in x	~ 43
Distance opt. Axis in y	~ 43
On-time delay	100ms

**Mechanical Data**

Measurements	66x110x10,7
Shock	30gn, 11ms
Vibration	10...2000Hz, 1 mm/30 g, 15 h
Housing material	steel, corrosion-resistant
Material of sensing face	PMMA
Degree of protection	IP67
Connection	Connector S4 (M12)
Weigth	150g
Recommended connector	BKS-_19/BKS-_20
Light spot diameter	3mm

**Electrical Data**

Current	DC
Switching function	normally-open
Output	PNP
Rated operational voltage Ue	24V DC
Rated operational current Ie	200mA
Supply Voltage	10...30V DC
Ripple	< 15% from UB
Frequency of Supply Voltage	DC
No-load supply current	<35mA
Voltage drop	<2,5V
Short protection	yes
Protected against polarity reversal	yes
Rated insulation voltage	250V AC
Output resistance	33 kOhm
max. Load capacity	<0,5µF



Utilization categories  
 Insulation class

DC 13  
 II

Datasheet number:

Definitions see general catalog.  
 If not otherwise noted, ratings according to  
 IEC 60947-5-2 (DIN EN60947-5-2)

Balluff GmbH  
 Schurwaldstrasse 9  
 73765 Neuhausen a.d.F.  
 Phone (07158) 173-0 Fax (07158) 5010

Datenblatt by CD-ROM - 04/2007

